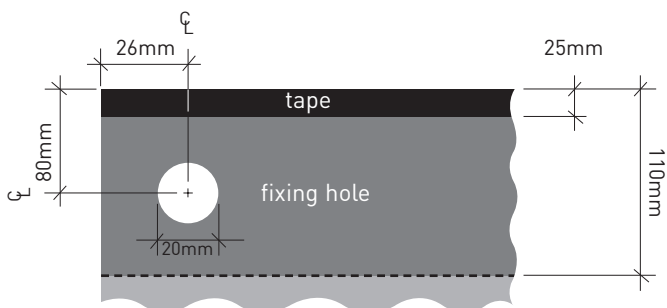


**CURVED B**  
2000mm H x 500mm W

- Visible Graphic Area 2000mm x 500mm
- Finished Print Size 2000mm x 500mm  
(inc. 150mm inside base of cassette)
- Image Bleed Area 2010mm x 510mm  
(5mm top and sides, 1000mm inside base)



**Fixing Hole Diagram:**

- 26mm from outside edge to centre.
- 80mm from trimmed end to centre.
- Hole Diameter 20mm.

110mm extra for overlap based on using 25mm wide double-sided tape to secure graphic. This makes a 85mm pocket.

----- Graphic folding edge/crease line



**ORDER LINE:**  
**0845 8854 460**